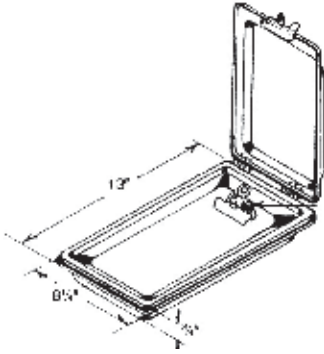
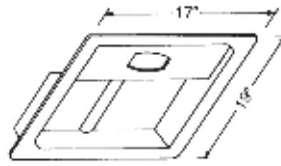


**936-001**



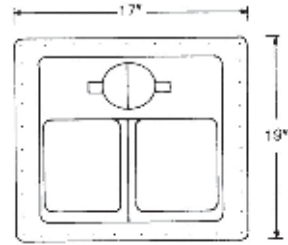
FLEET NUMBER: 936-001  
REPLACEMENT FOR: MANIFEST BOX  
REPLACEMENT FOR: 80-201

**936-001-005**



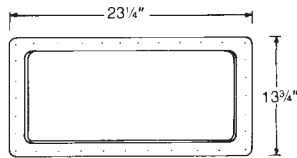
FLEET NUMBER: 936-001-005  
REPLACEMENT FOR: ELEC. NOSE BOX/PAN  
REPLACEMENT FOR:

**936-001-010**



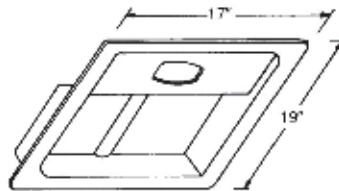
FLEET NUMBER: 936-001-010  
REPLACEMENT FOR: ELEC. NOSE BOX/PAN  
REPLACEMENT FOR:

**936-001-015**



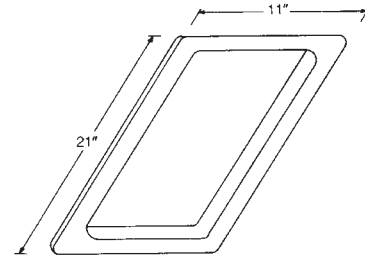
FLEET NUMBER: 936-001-015  
REPLACEMENT FOR: MAIFEST PAN  
REPLACEMENT FOR:

**936-001-020**



FLEET NUMBER: 936-001-020  
REPLACEMENT FOR: NOSE BOX - PAN  
REPLACEMENT FOR:

**936-001-025**



FLEET NUMBER: 936-001-025  
REPLACEMENT FOR: MANIFEST PAN  
REPLACEMENT FOR:

**MANIFEST BOX**